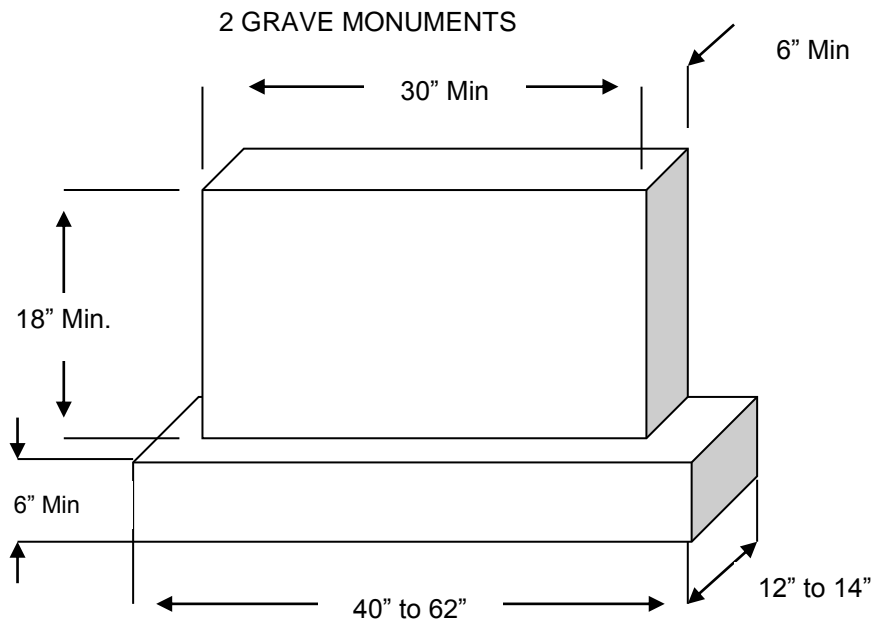
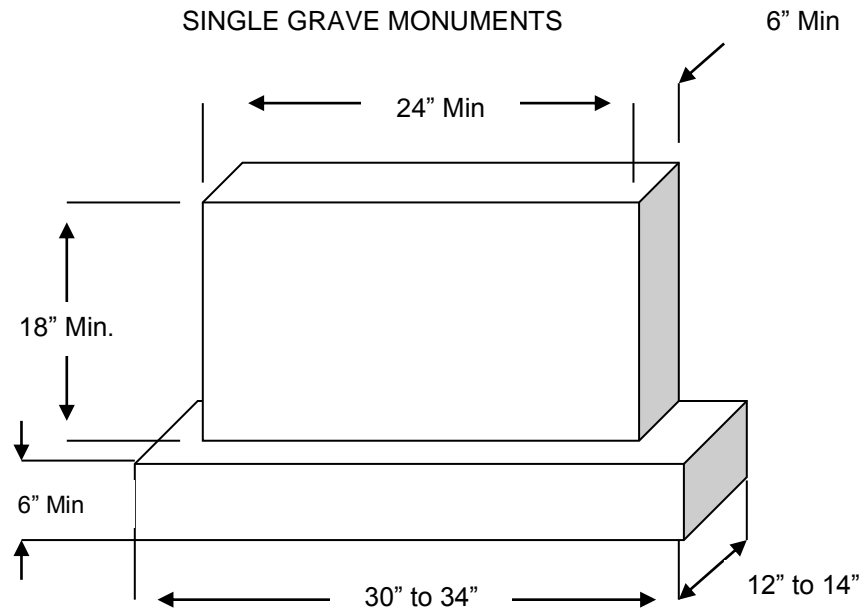


SECTION 35



3 GRAVES or MORE – Maximum size is 1/2 of the total width of the graves owned. Width of all graves is 48"
Width of base – 12" – 14"

*While the maximum size of the die used on a monument is not defined, it must be proportional to the base used.

No in-ground vases