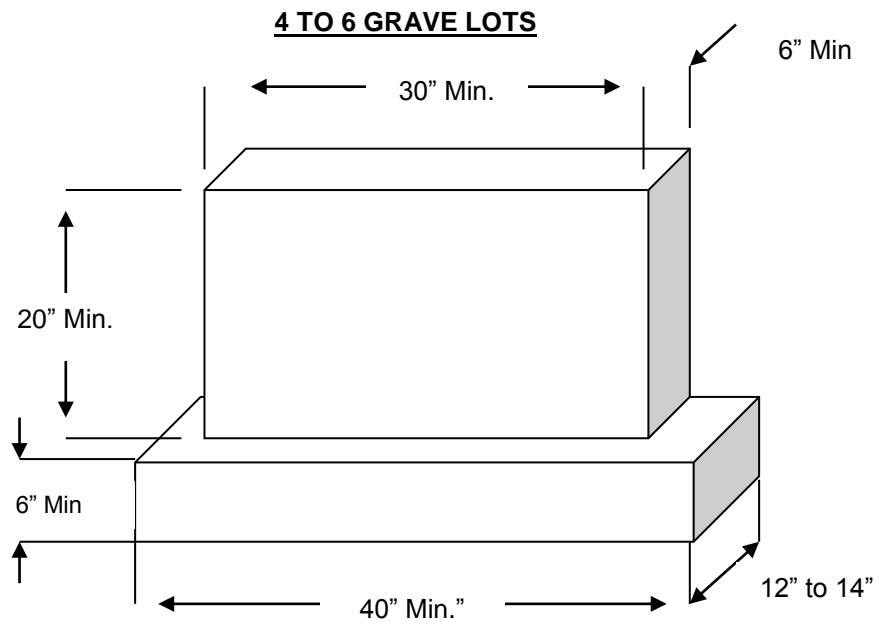
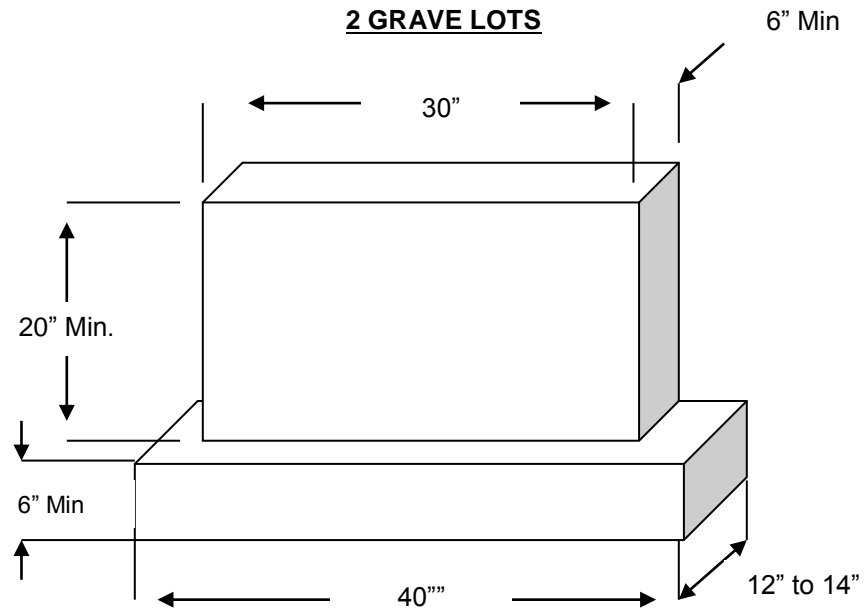


SECTION 37, 38, 39



4 TO 6 GRAVES – Maximum size is 1/2 of the total width of the graves owned. Width of each grave is 40"

*While the maximum size of the die used on a monument is not defined, it must be proportional to the base used.