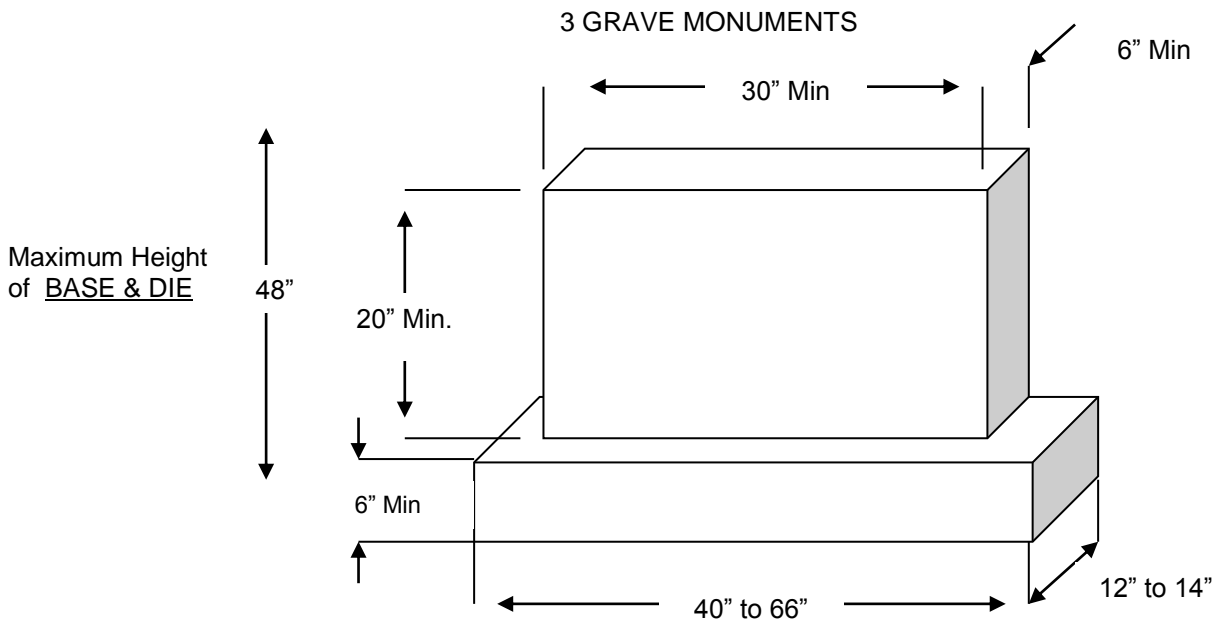
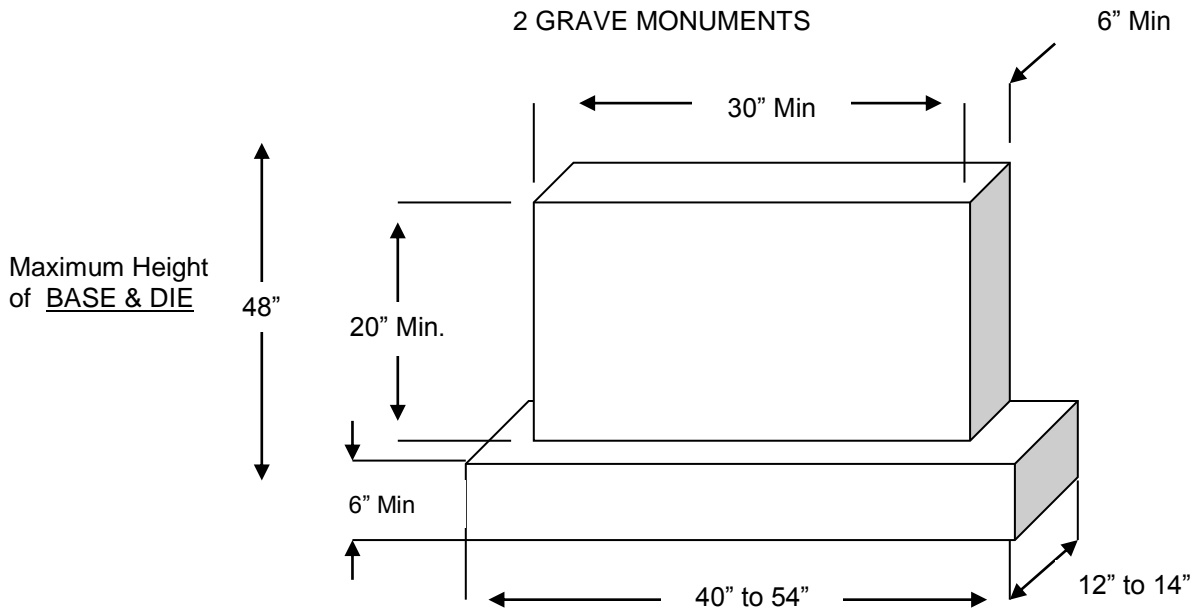


SECTION 41 & 43
BACK TO BACK MONUMENT SECTION



4 GRAVE MONUMENTS – Maximum base size is 80" long

No Inscription or design will be allowed on back of monument

No inground vases

IMPORTANT: Monuments face east or west in this section in back to back fashion. No monument is to exceed 48" in overall height including base, die, statue or any other embellishment that would add to the height of the monument.

GROUND RULES

No additional planting will be allowed

No addition of any type ornament, statue or any other object to the plant bed will be allowed.