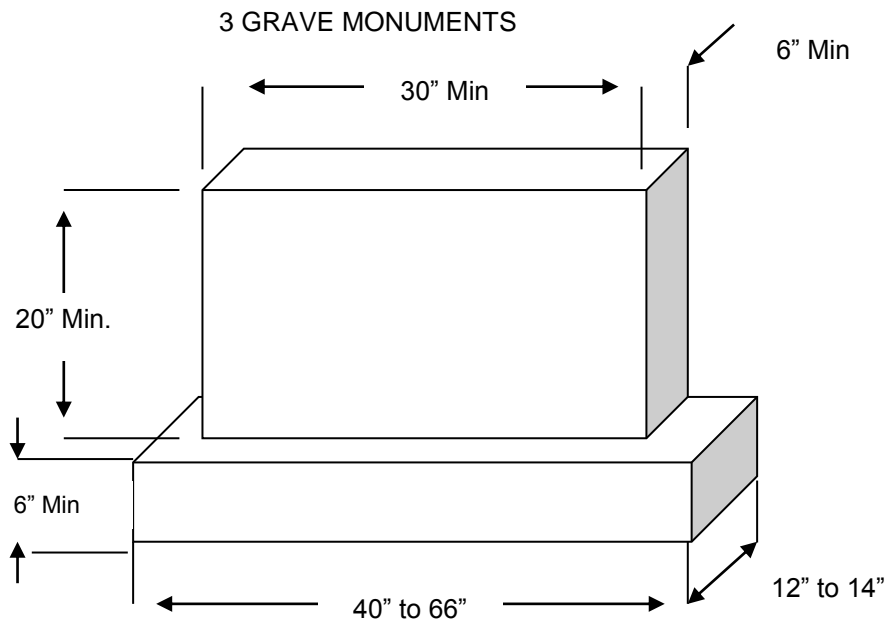
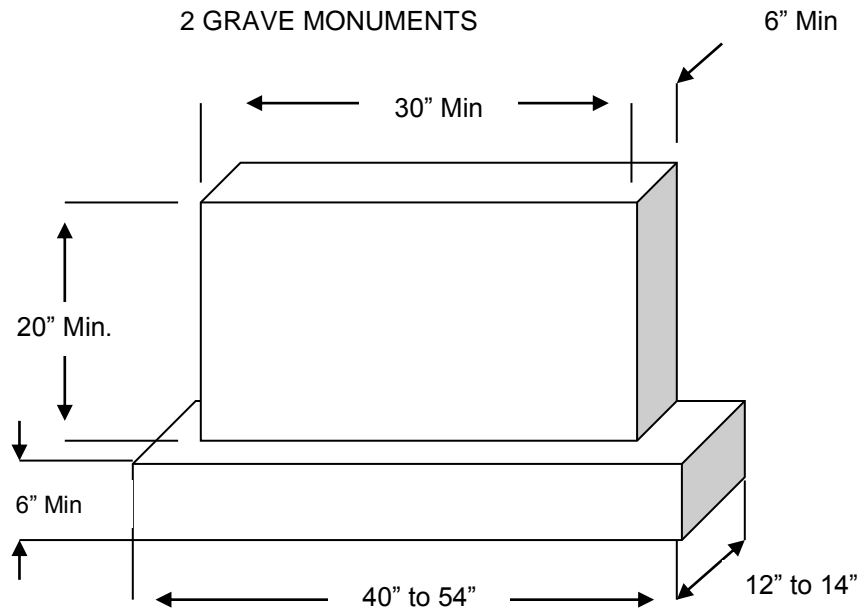


SECTION 44, 45, 46



or 16" on lots with 3 graves in front and 3 graves in back

4 to 6 GRAVES – Maximum size is $\frac{1}{2}$ of the total width of the graves owned. Width of all graves is 40"
Width of base – 12" to 14"

While the maximum size of the die used on a monument is not defined, it must be proportional to the base used.